

MICROPROCESSOR DEVICE CONTROLLER TRAINER

MODEL : MDC – 01

- Sequence control of 8 LEDs through 8255 port
- Control of 2 relays
- Operating a 7-segment display
- Switch state input through 8255 port
- SID/SOD Operation



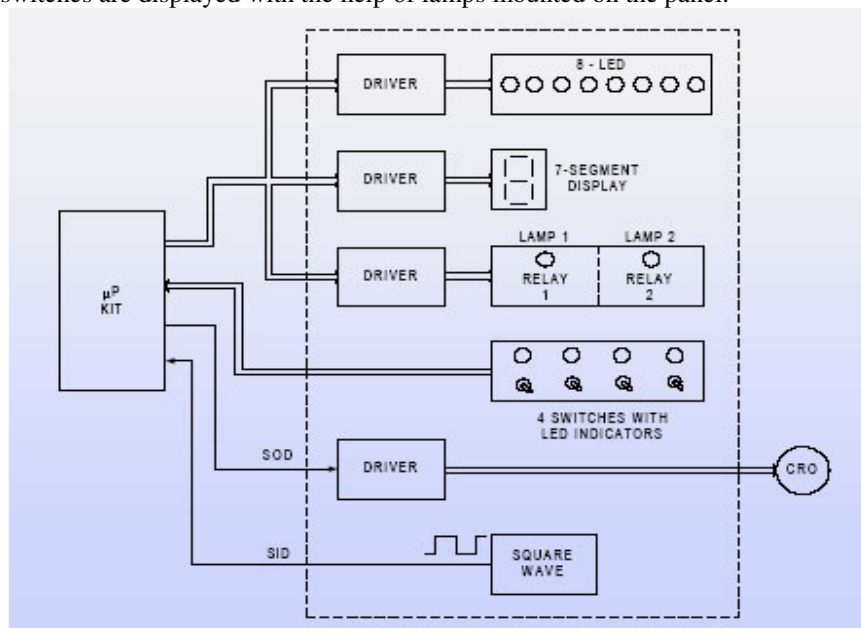
INTRODUCTION

This unit has been designed to train the students to handle basic input-output operations of the 8085 microprocessor through 8255 ports. The power supply, drivers and other hardware are prewired resulting in a greater reliability of operation. The students are expected to enter a few suggested programs and also to develop their own programs for a variety of input-output operations, which include,



- Light the 8 LEDs in a cycle, in binary sequence, as a bar graph display etc.
- Operate the 2 relays with software controlled timing
- Operate the 7-segment display through segment control
- Sense the state of the 4-switches as input and send out suitable signals to various output devices.
- Study of SID/SOD

The system comprises of a main unit and a μP kit, connected through a flat cable. The main unit houses all the I/O devices, viz. LED's, relays, 7-segment display, switches and their drivers/ interfacing circuits. In addition the status of the relays and switches are displayed with the help of lamps mounted on the panel.



Note: There may be any change in specification due to continuous R & D without notice.

VIJAYANTA TECHNOLOGIES PVT. LTD.

(Formerly Vijai Electronics)

Dr. Baldev Singh Marg 28/147 Civil Lines, Roorkee-247667 Distt. Haridwar, Uttarakhand

Phone No.: 01332 – 272509, 7579200827

E-Mail : vijayantatechologies@gmail.com, vijaielectronics1965@gmail.com